

Part Nos. 246483 and 248827

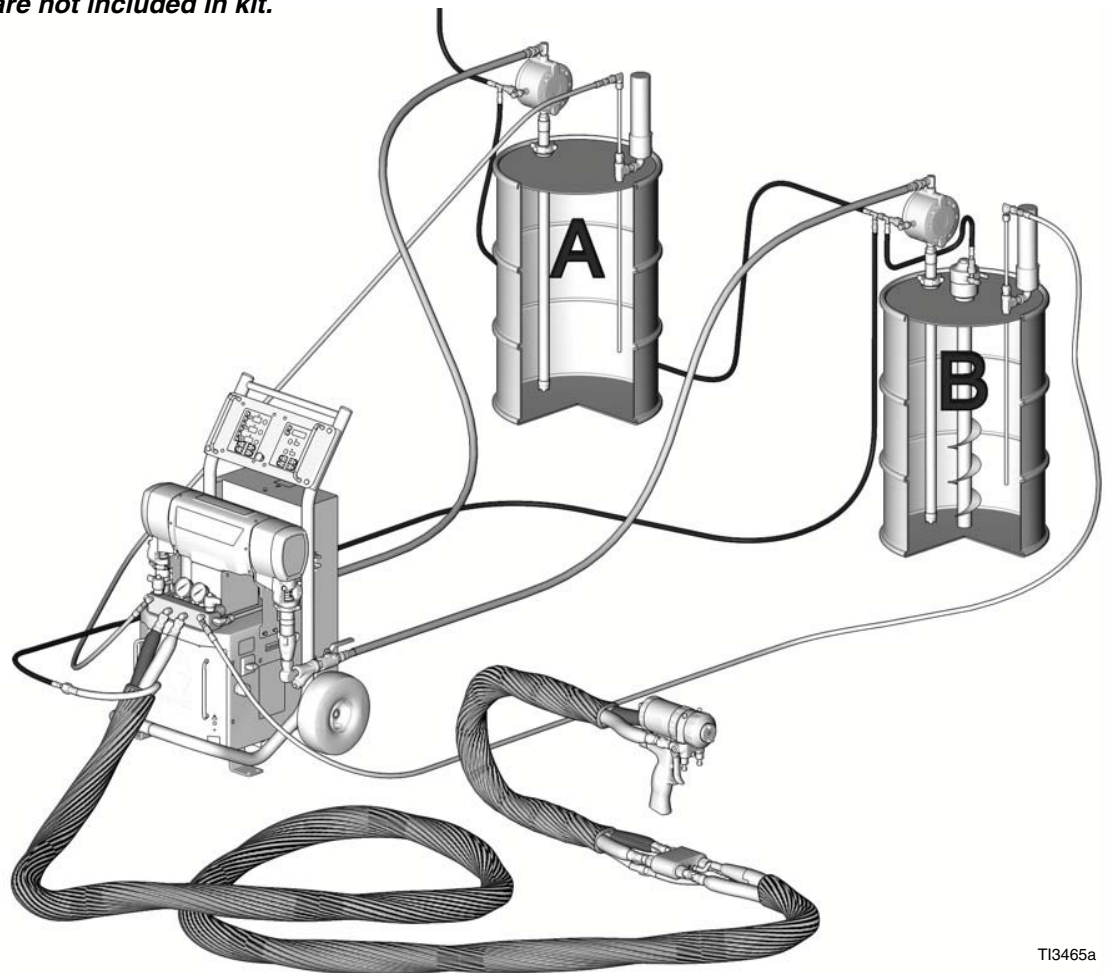
Air Supply Kits

309827E

ENG

For feed pump kits used with Reactor™, Xtreme Mix™, Hydra-Cat™, and GMS Proportioners

246483 Air Supply Kit shown installed in Reactor proportioning system. Some parts shown are not included in kit.



T13465a

Related Manuals

The following manual is shipped with the feed pump kits. Refer to this manual for detailed equipment information.

Part No.	Description
309815	Reactor Feed Pump Kits
310863	Proportioner Feed Pump Kits

The following manuals are shipped with the proportioner. Refer to these manuals for detailed equipment information.

Part No.	Description
309551 or 312065	Reactor Electric Proportioner, Operation Manual (English)
309574 or 312066	Reactor Electric Proportioner, Repair-Parts Manual (English)
310794	Hydra-Cat and Xtreme Mix Packages Manual
310795	Hydra-Cat Proportioner Operation Manual
310796	Hydra-Cat Proportioner Repair-Parts Manual

Installation



This procedure is for installation of 246483. To install 248827 see Graco manual 310794.

- See on page 2. Install needle valve (3), quick-disconnect fitting (4), quick-disconnect coupler (2), and tee (6) at component A (ISO) feed pump air inlet as shown. Do not connect hoses yet.
- Install needle valve (3), quick-disconnect fitting (4), quick-disconnect coupler (2), tee (6), swivel union (8), and another tee (6) at component B (RES) feed pump air inlet as shown. Do not connect hoses yet.
- Install needle valve (3), quick-disconnect fitting (4), quick-disconnect coupler (2), and nipple (5) at agitator (D) air inlet as shown. Do not connect hose yet.

- Screw second nipple (5) into Reactor air hose (C).
- Connect 15 ft (4.57 m) hose (1b) to branch of tee (6) at component A feed pump. Connect other end to tee at component B feed pump.
- Connect 15 ft (4.57 m) hose (1c) to branch of tee (6) at component B feed pump. Connect other end to nipple (5) at Reactor air hose (C).
- Connect 4 ft (1.22 m) hose (9) to branch of second tee (6) at component B feed pump. Connect other end to nipple (5) at agitator (D).
- Disconnect couplers (2) from fittings (4) at feed pumps and agitator.
- Connect 15 ft (4.57 m) hose (1a) to main air supply and to tee (6) at component A pump.
- Connect couplers (2). Turn on air. Use needle valves (3) to adjust speed of feed pumps and agitator.

Parts

246483

See parts drawing on page 3.

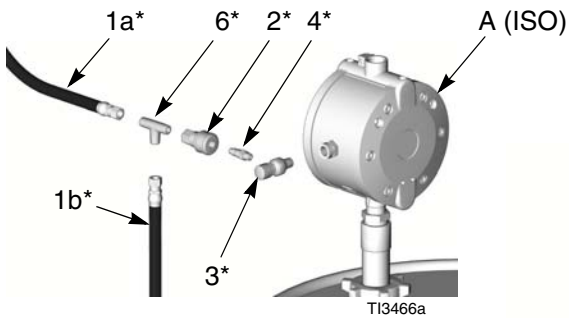
Ref. No.	Part No.	Description	Qty
1	210866	HOSE, air; 1/4 npsm(fbe); 5/16 in. (8 mm) ID; 15 ft (4.57 m); buna-N	3
2	208536	COUPLER, quick-disconnect	3
3	206264	VALVE, needle	3
4	169969	FITTING, quick-disconnect	3
5	162453	NIPPLE; 1/4 npt x 1/4 npsm	2
6	113548	TEE; 1/4 npt(m)	3
8	155570	UNION, swivel; 1/4 npt (fbe)	1
9	248208	HOSE, air; 1/4 npsm(fbe); 5/16 in. (8 mm) ID; 4 ft (1.22 m); buna-N	1

Typical installation shown. Some components in your installation may be different.

246483 Air Supply Kit includes * parts only.

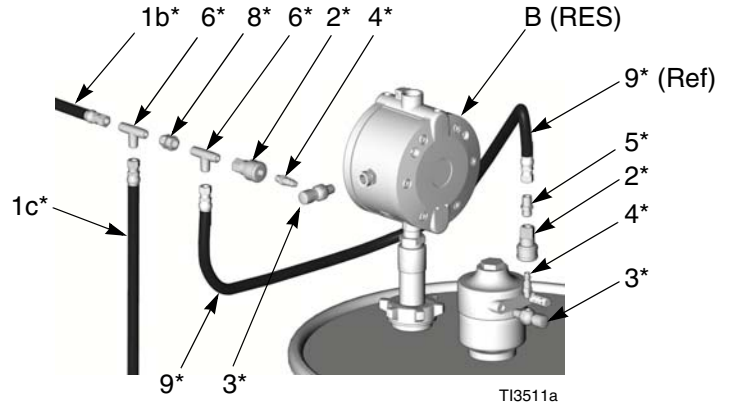
To install 248827 Air Supply Kit, see manual 310794.

Component A Detail



TI3466a

Component B and Agitator Detail

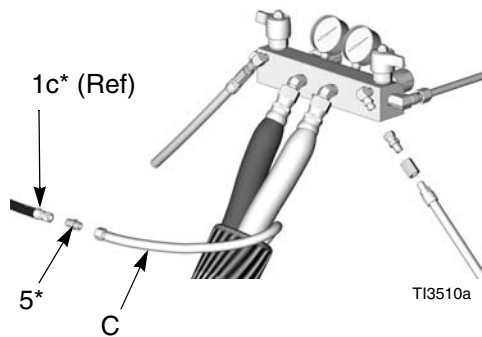


TI3511a

See Component A Detail, at left.

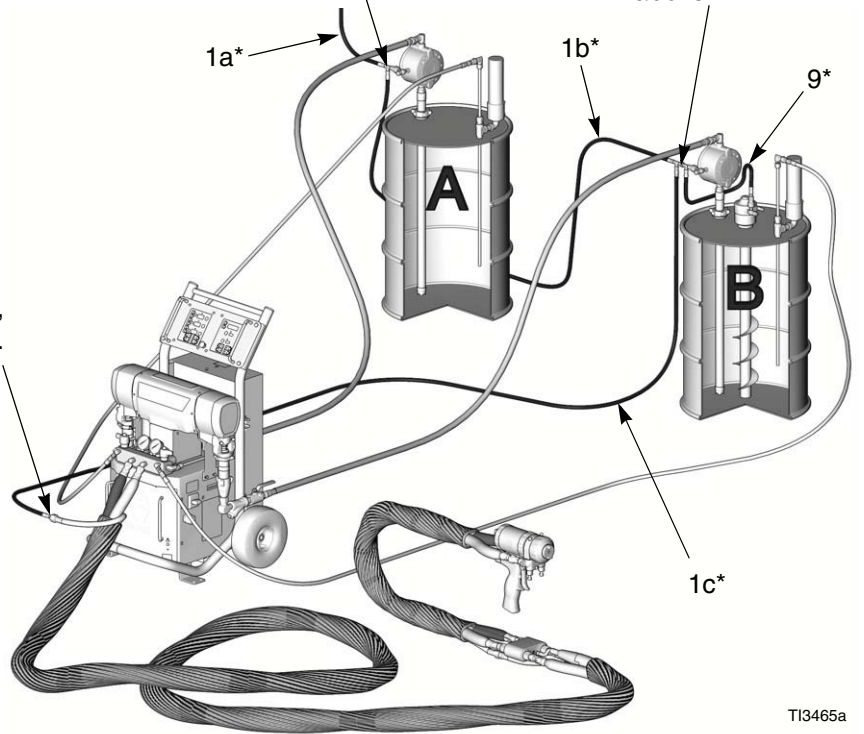
See Component B and Agitator Detail, above.

Hose Detail



TI3510a

See Hose Detail, at left.

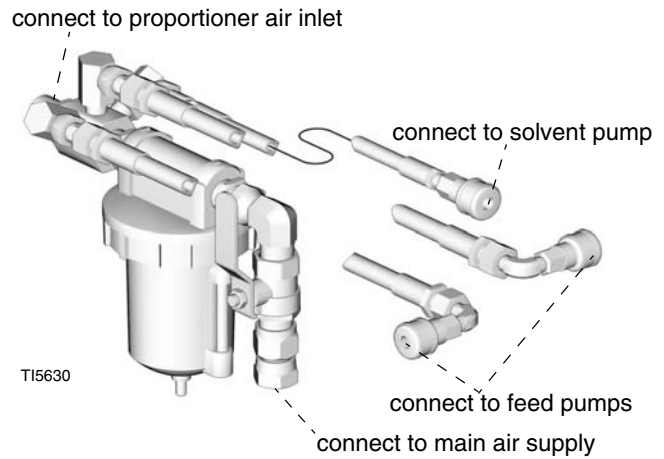


TI3465a

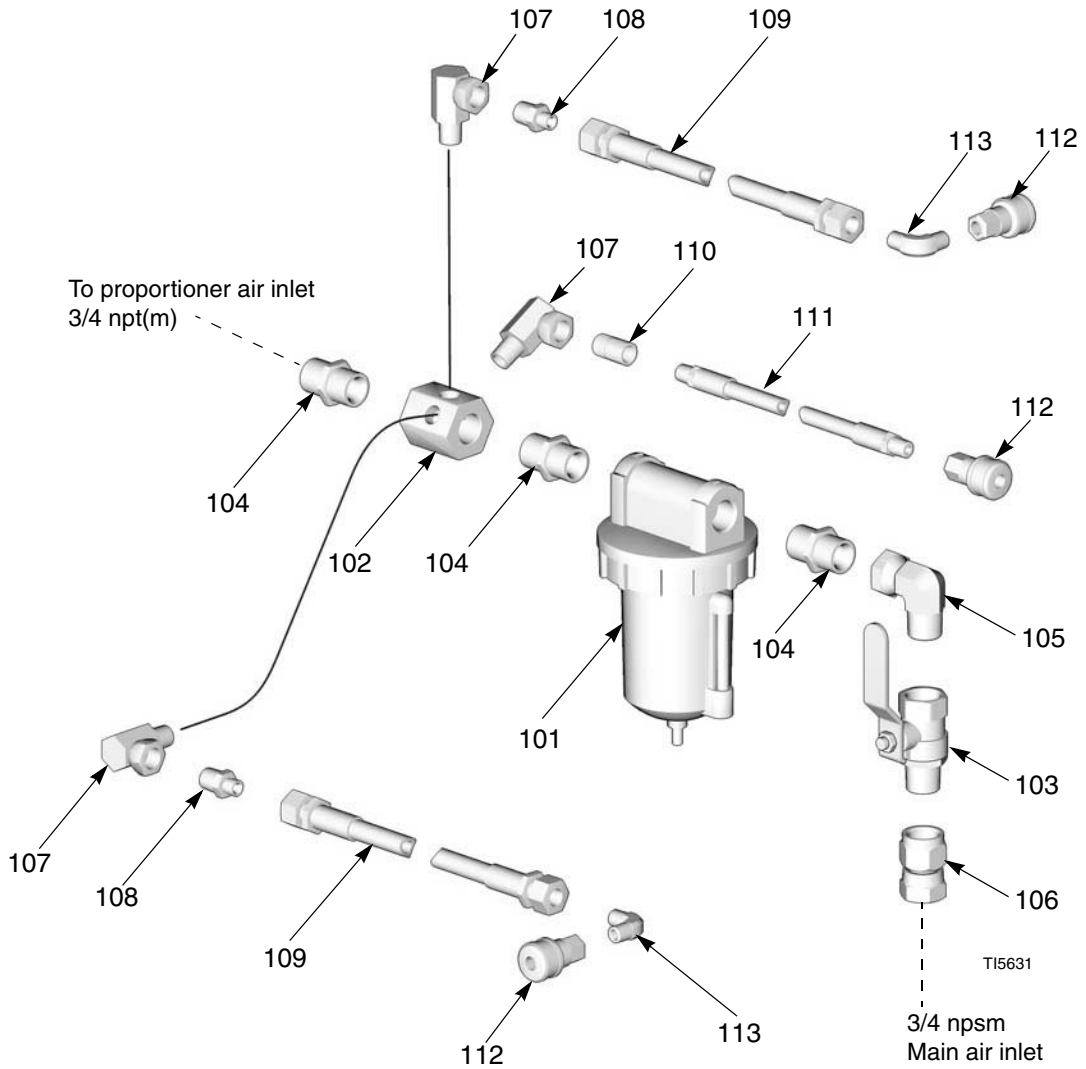
248827

Ref.

No.	Part No.	Description	Qty
101	117628	FILTER, air, 3/4 npt (auto drain)	1
102	15E145	MANIFOLD, air distribution	1
103	107141	VALVE, ball, vented	1
104	160032	FITTING, nipple, 3/4 npt(m)	3
105	160327	UNION, adapter, 90°	1
106	156172	FITTING, union, swivel	1
107	155494	UNION, swivel, 90°	3
108	164672	ADAPTER	2
109	210866	HOSE, air; 1/4 npsm(fbe); 5/16 in. (8 mm) ID; 15 ft (4.57 m); buna-N	2
110	159841	ADAPTER	1
111	203266	HOSE, air; 1/4 npt(f); 22 in (.56 m)	1
112	208536	COUPLER, quick-disconnect	3
113	110249	ADAPTER, male elbow 90°	2



To install 248824 Agitator Kit, see manual 310863.



Graco Standard Warranty

Graco warrants all equipment referenced in this document which is manufactured by Graco and bearing its name to be free from defects in material and workmanship on the date of sale to the original purchaser for use. With the exception of any special, extended, or limited warranty published by Graco, Graco will, for a period of twelve months from the date of sale, repair or replace any part of the equipment determined by Graco to be defective. This warranty applies only when the equipment is installed, operated and maintained in accordance with Graco's written recommendations.

This warranty does not cover, and Graco shall not be liable for general wear and tear, or any malfunction, damage or wear caused by faulty installation, misapplication, abrasion, corrosion, inadequate or improper maintenance, negligence, accident, tampering, or substitution of non-Graco component parts. Nor shall Graco be liable for malfunction, damage or wear caused by the incompatibility of Graco equipment with structures, accessories, equipment or materials not supplied by Graco, or the improper design, manufacture, installation, operation or maintenance of structures, accessories, equipment or materials not supplied by Graco.

This warranty is conditioned upon the prepaid return of the equipment claimed to be defective to an authorized Graco distributor for verification of the claimed defect. If the claimed defect is verified, Graco will repair or replace free of charge any defective parts. The equipment will be returned to the original purchaser transportation prepaid. If inspection of the equipment does not disclose any defect in material or workmanship, repairs will be made at a reasonable charge, which charges may include the costs of parts, labor, and transportation.

THIS WARRANTY IS EXCLUSIVE, AND IS IN LIEU OF ANY OTHER WARRANTIES, EXPRESS OR IMPLIED, INCLUDING BUT NOT LIMITED TO WARRANTY OF MERCHANTABILITY OR WARRANTY OF FITNESS FOR A PARTICULAR PURPOSE.

Graco's sole obligation and buyer's sole remedy for any breach of warranty shall be as set forth above. The buyer agrees that no other remedy (including, but not limited to, incidental or consequential damages for lost profits, lost sales, injury to person or property, or any other incidental or consequential loss) shall be available. Any action for breach of warranty must be brought within two (2) years of the date of sale.

GRACO MAKES NO WARRANTY, AND DISCLAIMS ALL IMPLIED WARRANTIES OF MERCHANTABILITY AND FITNESS FOR A PARTICULAR PURPOSE, IN CONNECTION WITH ACCESSORIES, EQUIPMENT, MATERIALS OR COMPONENTS SOLD BUT NOT MANUFACTURED BY GRACO. These items sold, but not manufactured by Graco (such as electric motors, switches, hose, etc.), are subject to the warranty, if any, of their manufacturer. Graco will provide purchaser with reasonable assistance in making any claim for breach of these warranties.

In no event will Graco be liable for indirect, incidental, special or consequential damages resulting from Graco supplying equipment hereunder, or the furnishing, performance, or use of any products or other goods sold hereto, whether due to a breach of contract, breach of warranty, the negligence of Graco, or otherwise.

FOR GRACO CANADA CUSTOMERS

The Parties acknowledge that they have required that the present document, as well as all documents, notices and legal proceedings entered into, given or instituted pursuant hereto or relating directly or indirectly hereto, be drawn up in English. Les parties reconnaissent avoir convenu que la rédaction du présente document sera en Anglais, ainsi que tous documents, avis et procédures judiciaires exécutés, donnés ou intentés, à la suite de ou en rapport, directement ou indirectement, avec les procédures concernées.

Graco Information

For the latest information about Graco products, visit www.graco.com.

TO PLACE AN ORDER, contact your Graco distributor or call to identify the nearest distributor.

Phone: 612-623-6921 **or Toll Free:** 1-800-328-0211 **Fax:** 612-378-3505

*All written and visual data contained in this document reflects the latest product information available at the time of publication.
Graco reserves the right to make changes at any time without notice.*

Original instructions. This manual contains English. MM 309827

Graco Headquarters: Minneapolis

International Offices: Belgium, China, Japan, Korea

GRACO INC. P.O. BOX 1441 MINNEAPOLIS, MN 55440-1441

Copyright 2004 Graco Inc. is registered to ISO 9001

www.graco.com

Revised 01/2010